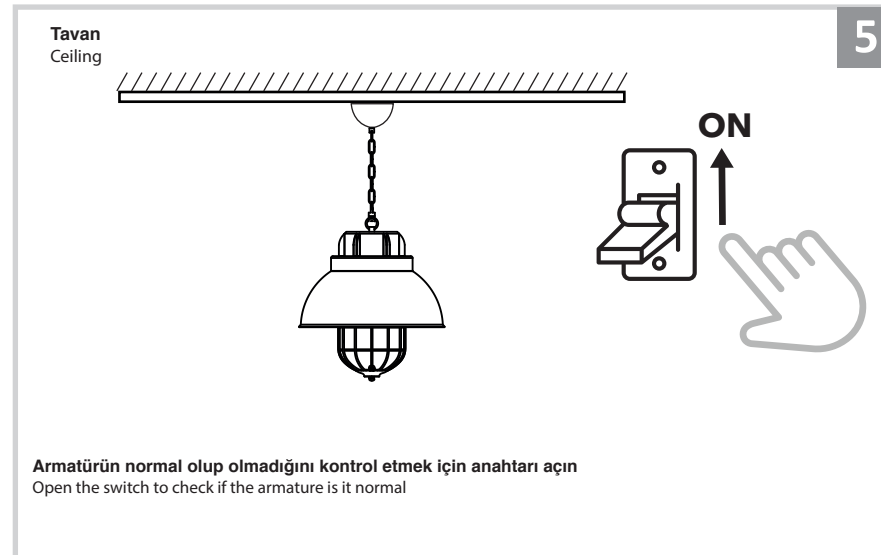
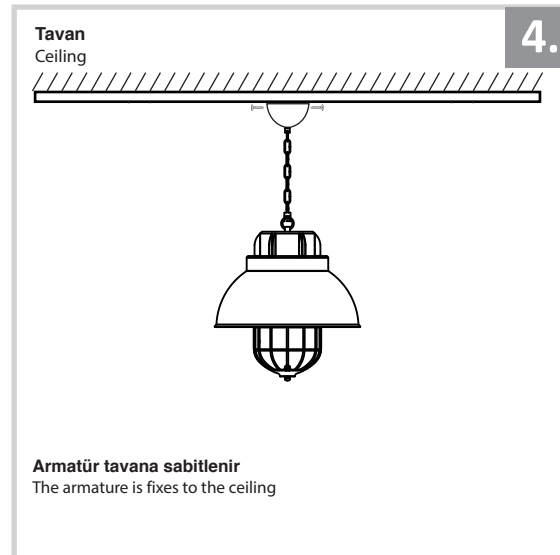
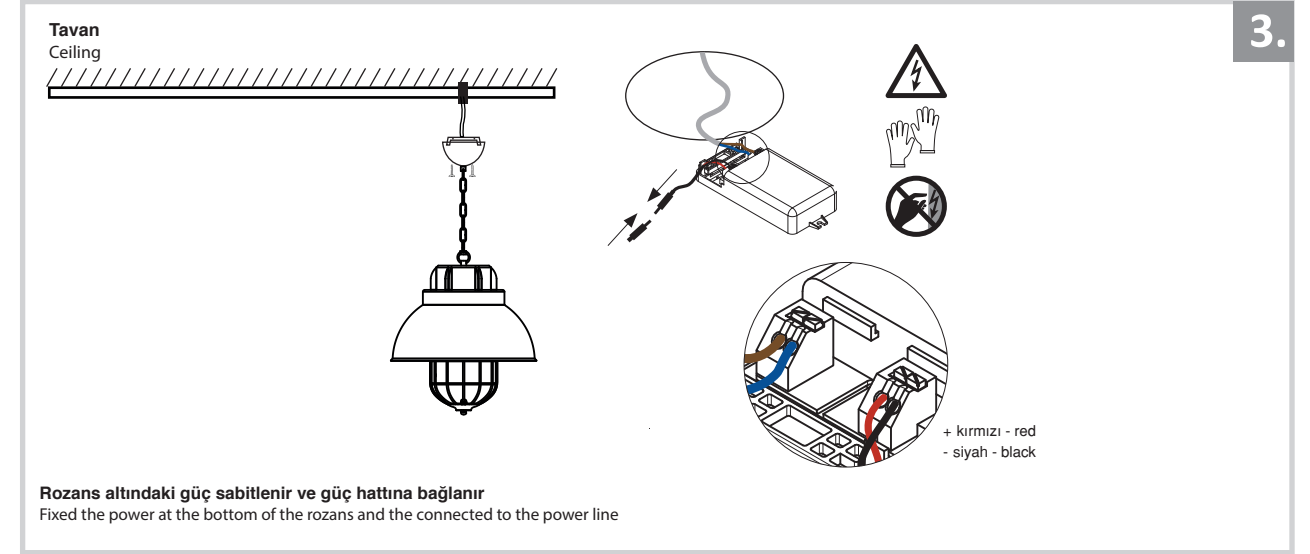
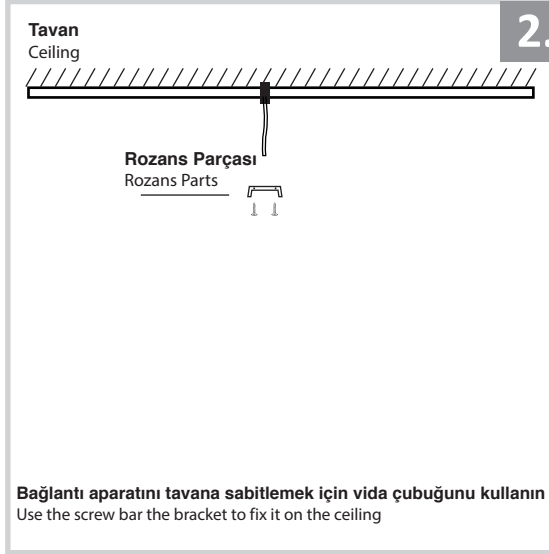
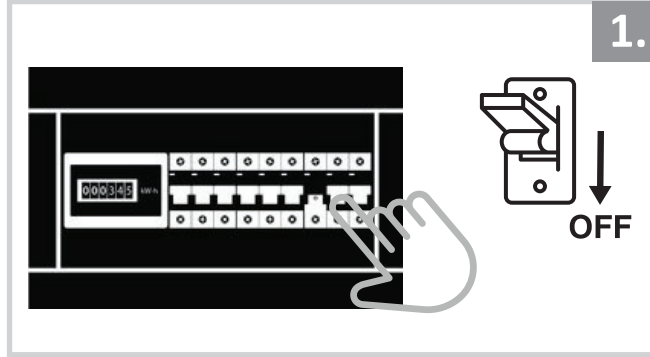




Sarkıt Armatür İin Montaj ve Kullanım Kılavuzu
Assembly and Application Manual For Pendant Armature
MS 174-1



UYARI !!!!

HERHANGİ BİR RN VEYA ELEKTRİKLY AYGITI BAėLAMADAN VEYA SKMEDEN NCE MUTLAKA KAT SİGORTASINI VEYA ANA SİGORTAYI KAPATMAYI UNUTMAYIN VE DOėRU SİGORTAYI KAPATTIėINIZDAN EMİN OLUN. Eėer bu rnn baėlantısını yapabileceėinizden emin deėilseniz mutlaka deneyimli bir elektrikiye baėvurun. Elektrik konusu hayati nem taėır.

WARNING !!!!

WITHOUT CONNECTING ANY PRODUCT OR ELECTRICALLY EQUIPMENT OR DO NOT ALWAYS CLOSE FLOOR INSURANCE OR MAIN INSURANCE BEFORE YOU REMOVE DO NOT REMEMBER AND MAKE SURE YOU FOLLOW YOUR FIRST INSURANCE. If you are not sure that you can connect this product, Please contact the electrician. Electricity is of vital importance.